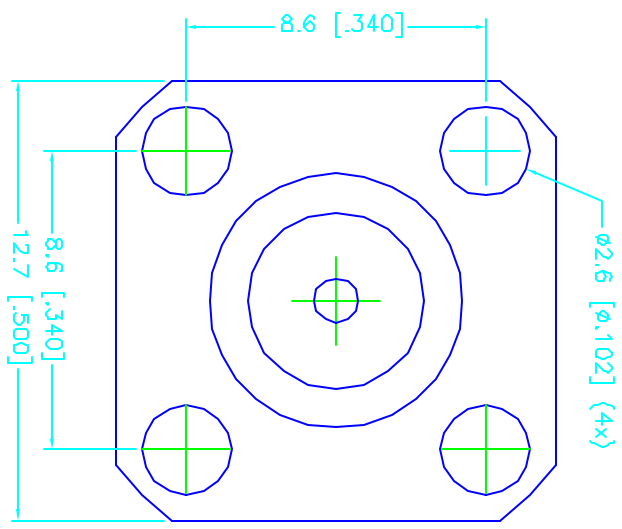
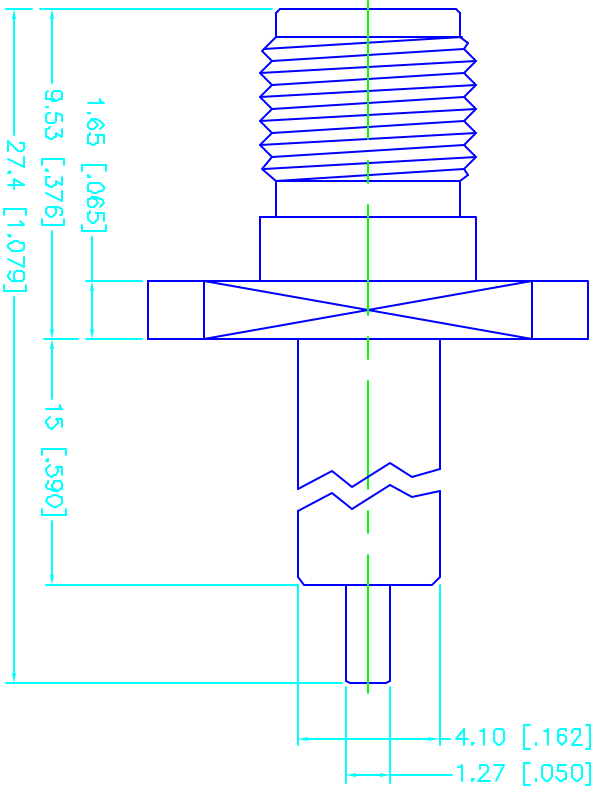


REV.	DATE	DESCRIPTION
A	07/27/97	CHANGE CONTACT PIN MATERIAL
B	04/28/00	REFORMAT DRAWING



DESCRIPTION	MATERIAL	FINISH	UNLESS OTHERWISE SPECIFIED DIMENSIONS ARE IN MILLIMETERS	APPROVALS	DATE	TITLE					
1 BODY	BRASS	GOLD	DIMENSIONS IN [] ARE IN INCHES	DRAWN G.R.S.	04/28/00	comnex Connector Corporation SMA FOUR (4) HOLE PANEL RECEPTACLE					
2 INSULATOR	TEFLON	NATURAL	FOR CUSTOMER REFERENCE ONLY	CHECKED							
3 CONTACT PIN	BER. COPPER	GOLD	UNLESS OTHERWISE SPECIFIED TOLERANCES FOR MILLIMETERS ARE	ISSUED							
4			0.5-6 ± 0.2								
5			6-30 ± 0.4								
6			30-120 ± 0.6								
7			120-315 ± 1								
8			315-1000 ± 1.6								
			1000-2000 ± 2.4								
DO NOT SCALE DRAWING				SCALE	NA	PART NO.	1 32146	SHEET	1	OF	1